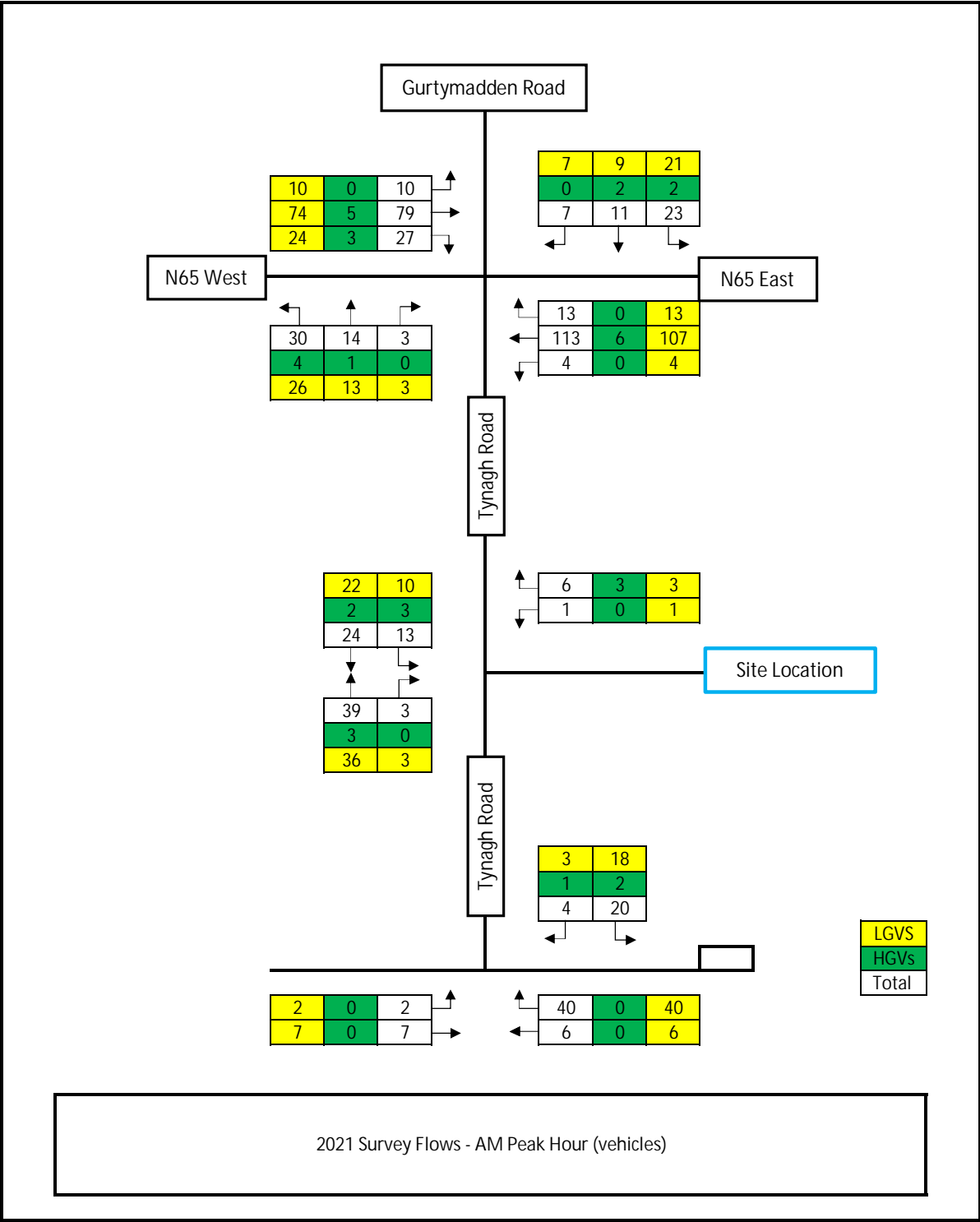


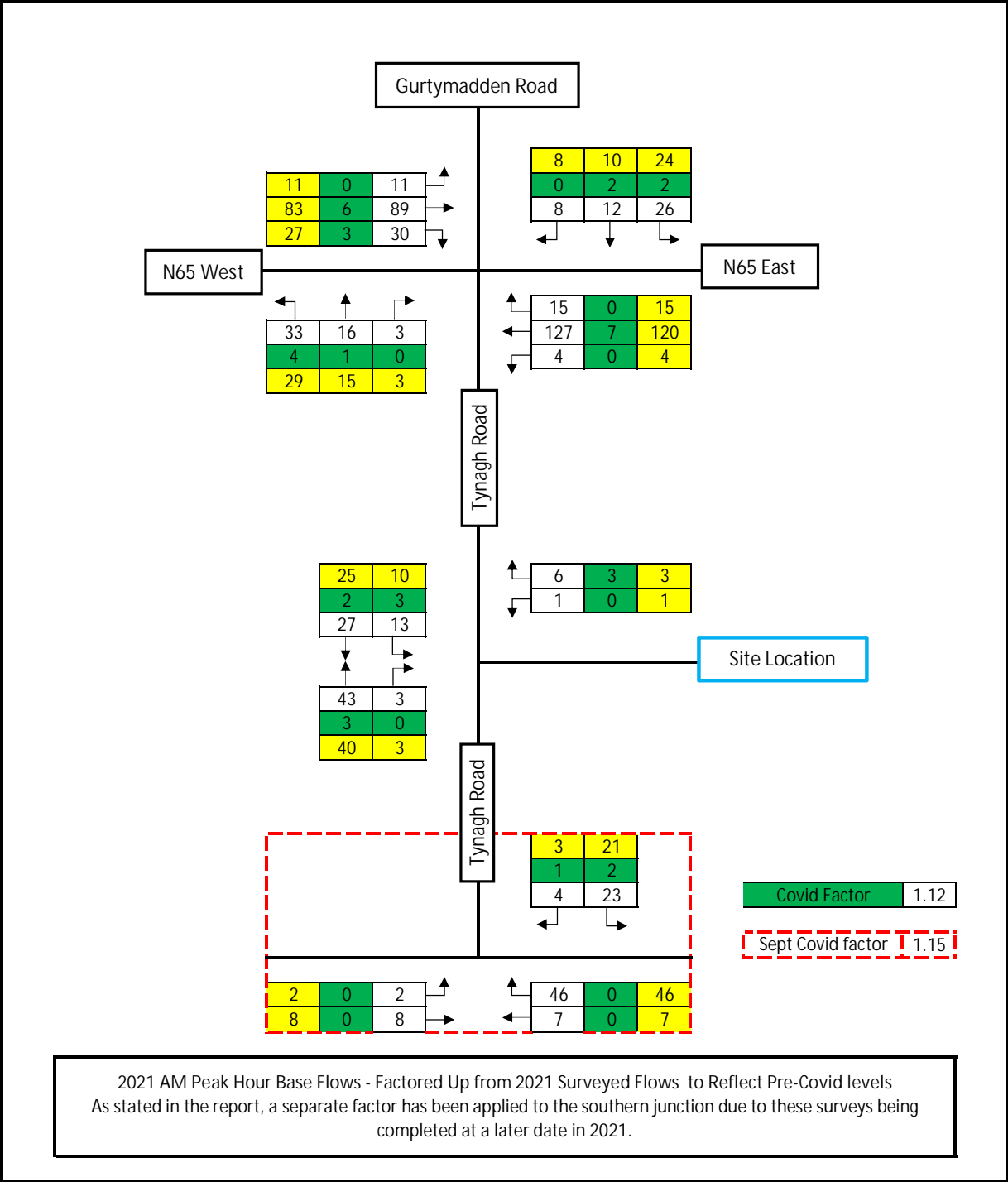
Appendix 14C  
Forecast Traffic Flow Diagrams

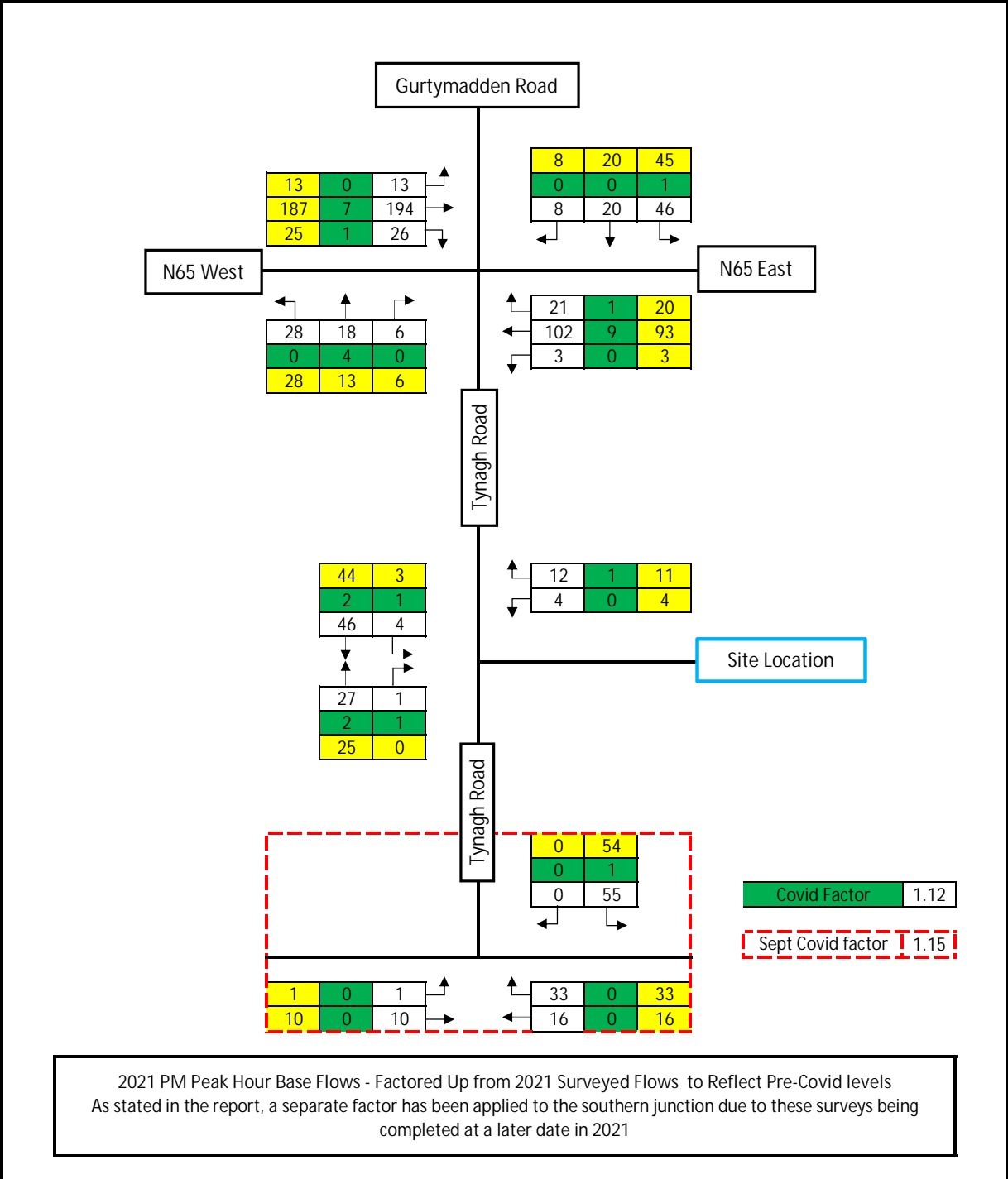
[THIS PAGE INTENTIONALLY LEFT BLANK]

Low Growth









Gurty Madden Road

N65 West

N65 East

Tynagh Road

Tynagh Road

Site Location

13	0	13
187	7	194
25	1	26

8	20	45
0	0	1
8	20	46

28	18	6
0	4	0
28	13	6

21	1	20
102	9	93
3	0	3

44	3
2	1
46	4

12	1	11
4	0	4

27	1
2	1
25	0

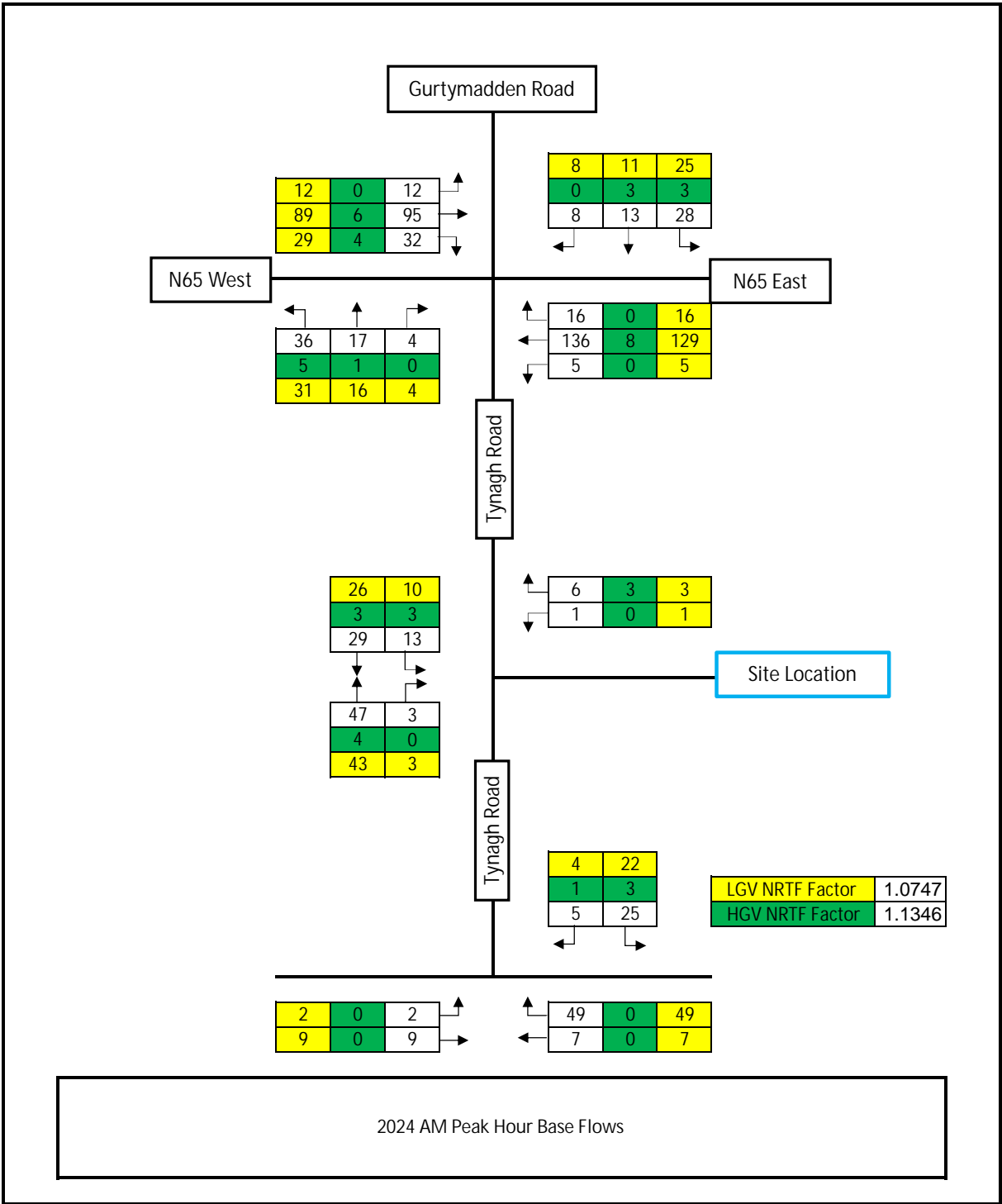
0	54
0	1
0	55

Covid Factor 1.12

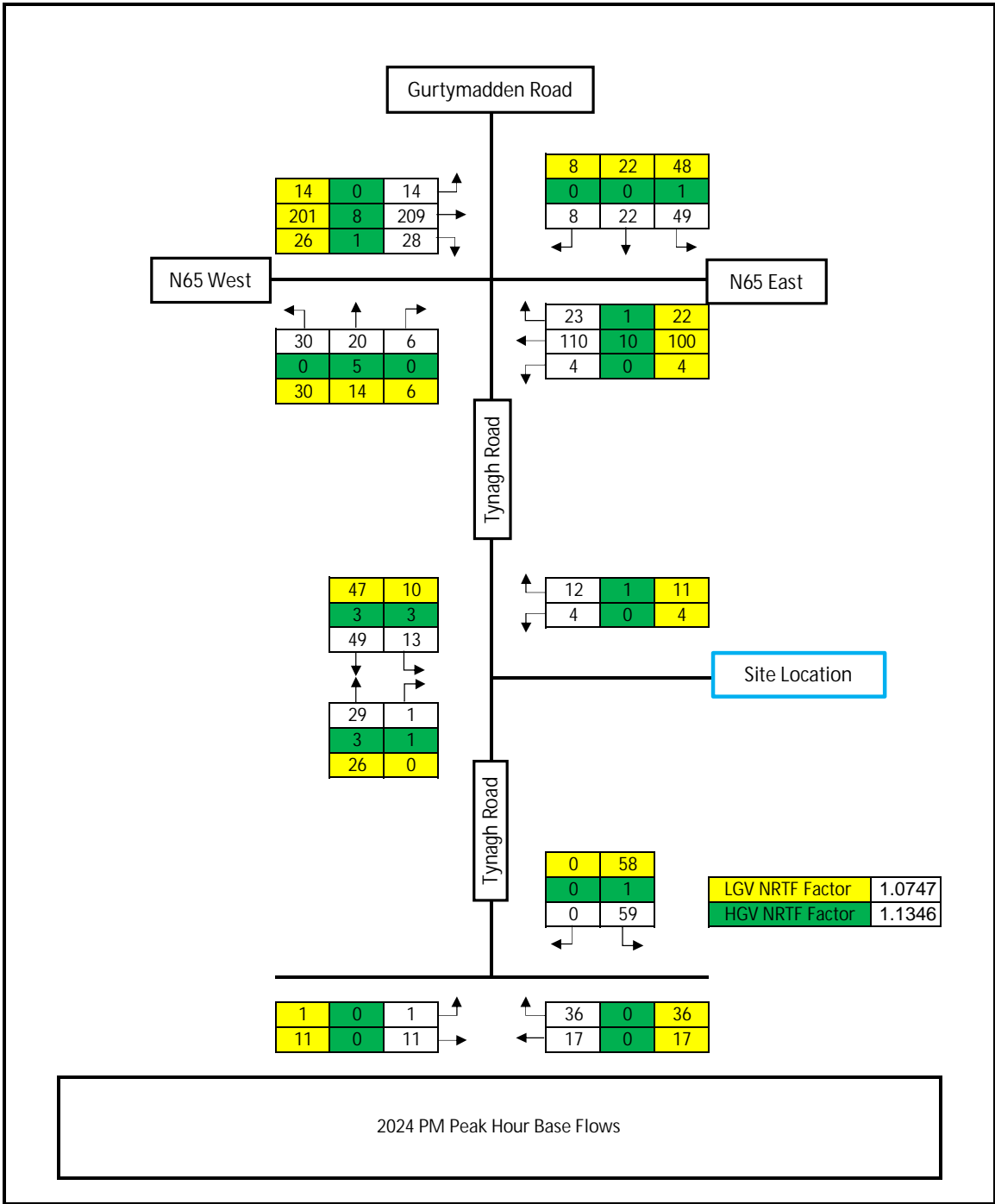
Sept Covid factor 1.15

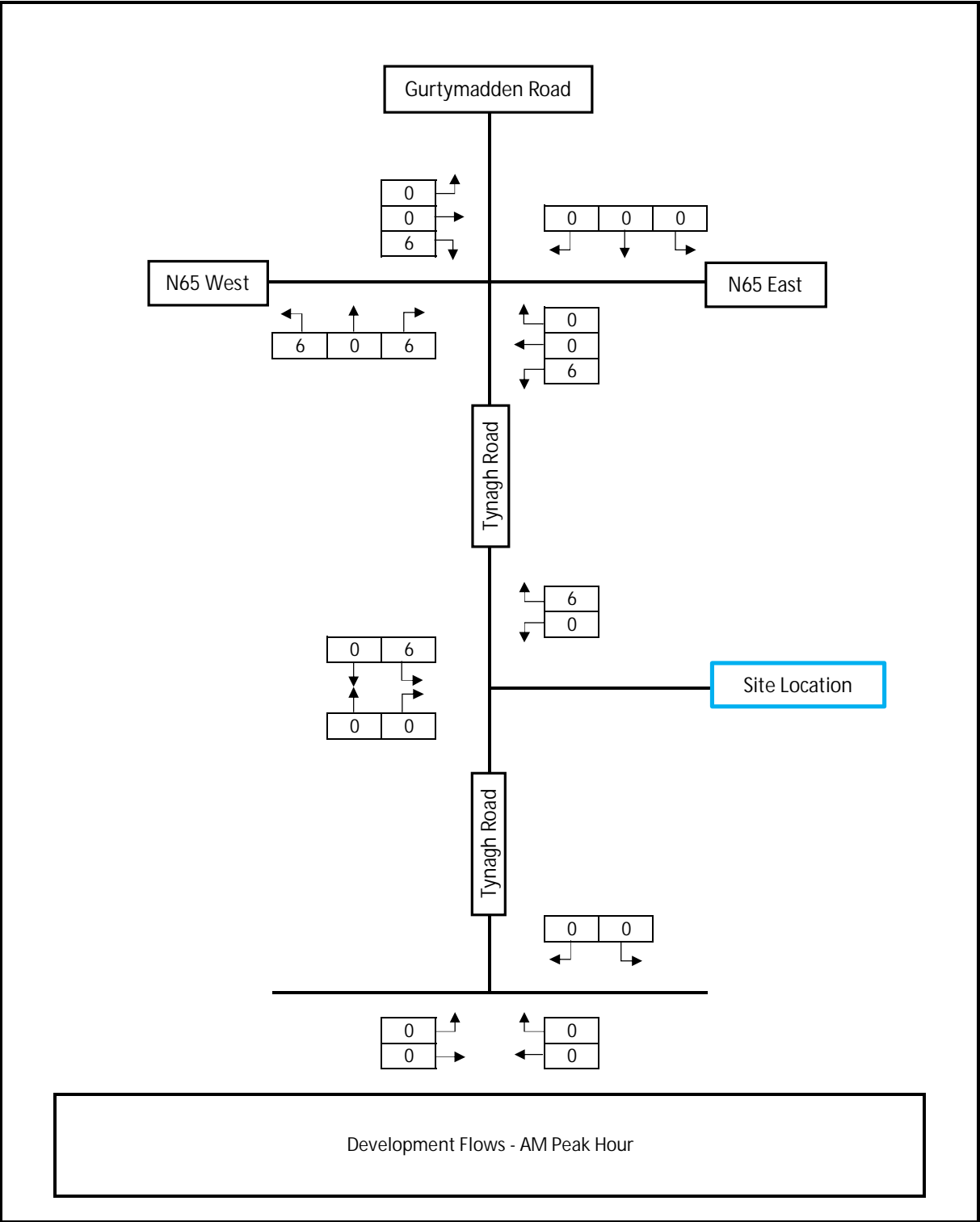
1	0	1
10	0	10

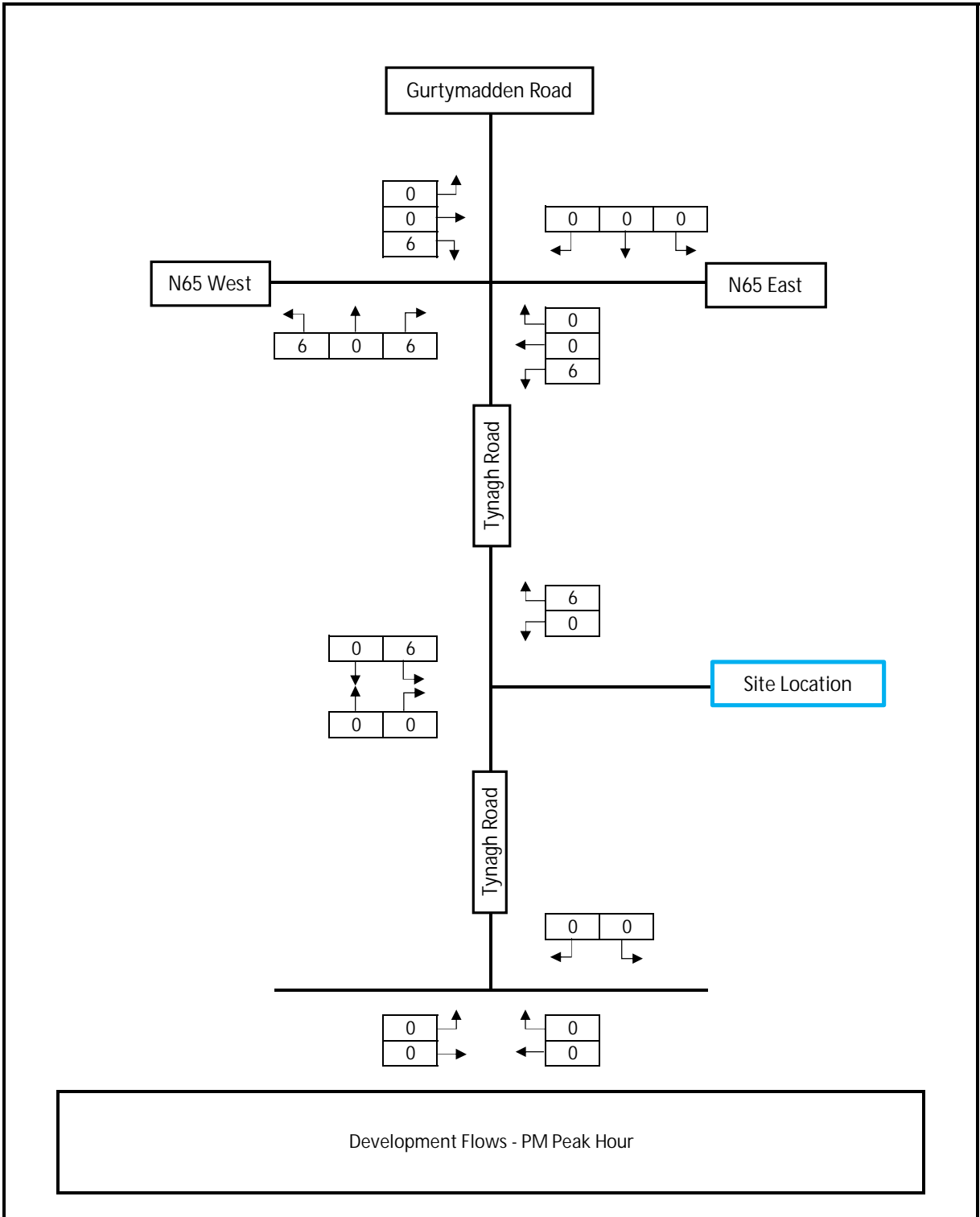
33	0	33
16	0	16

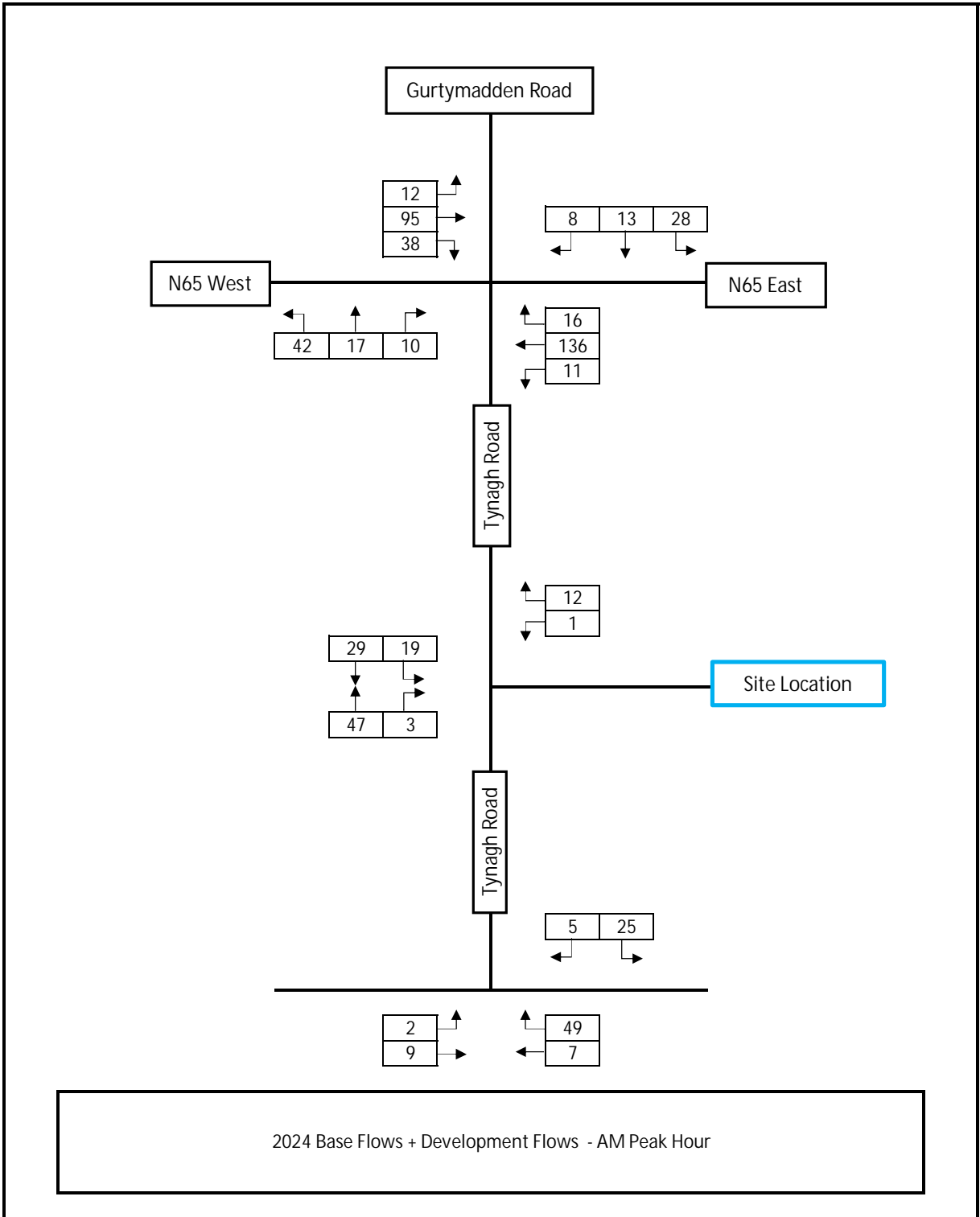


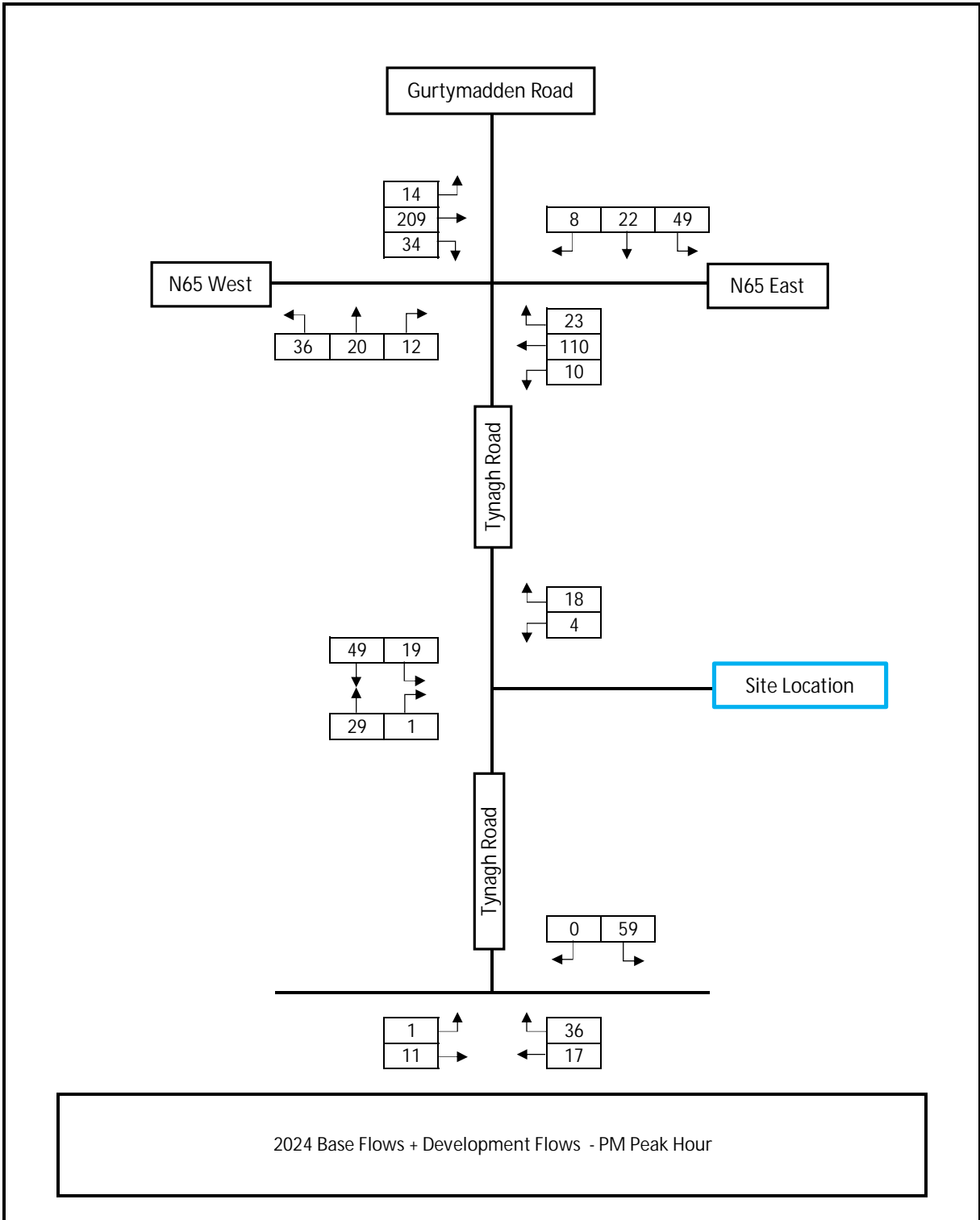












Gurty Madden Road

N65 West

N65 East

Tynagh Road

Tynagh Road

Site Location

14	↑
209	→
34	↓

8	←
22	↓
49	→

36	←
20	↑
12	→

23	↑
110	←
10	↓

49	←
19	→
↓	↓
29	↑
1	→

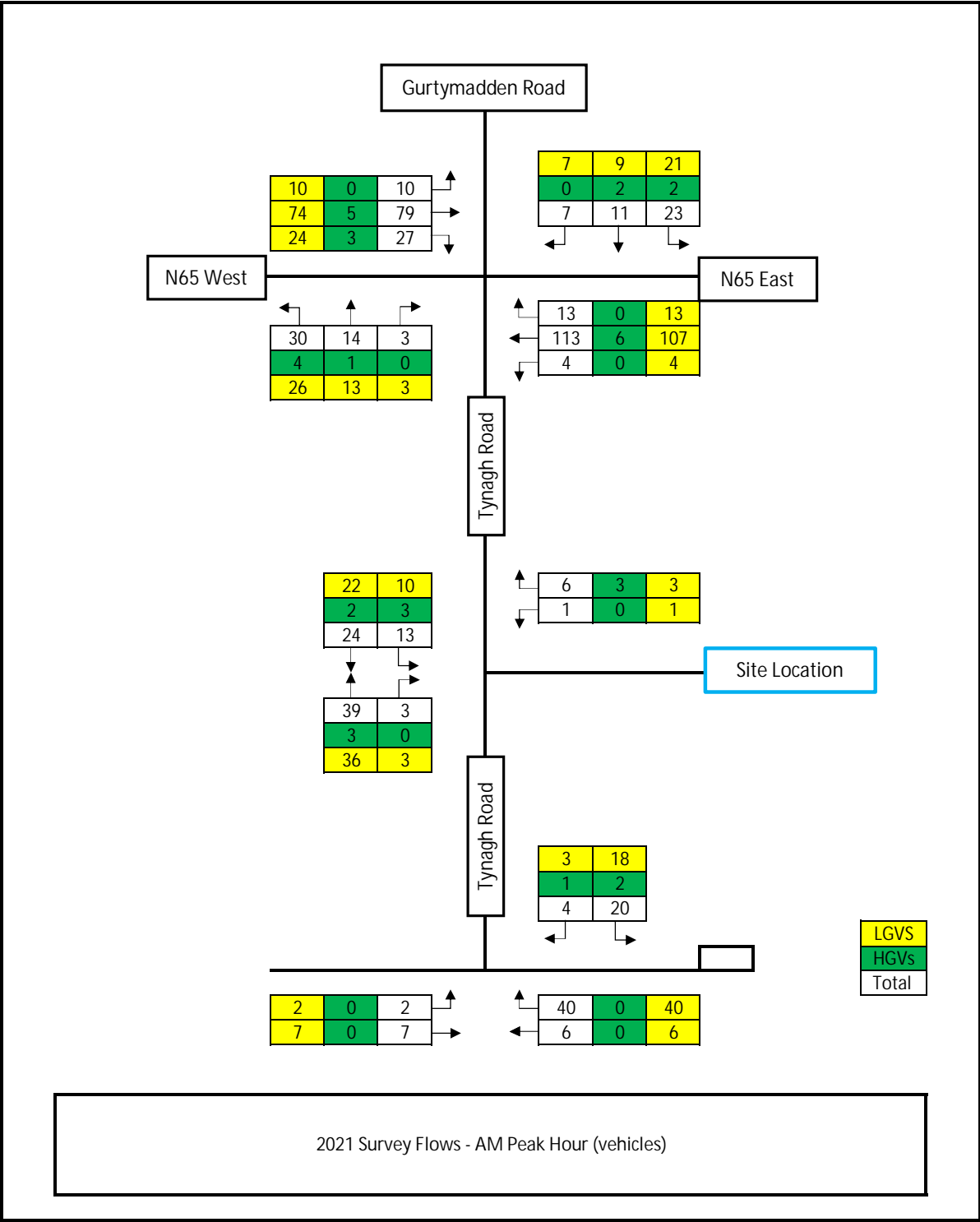
18	↑
4	↓

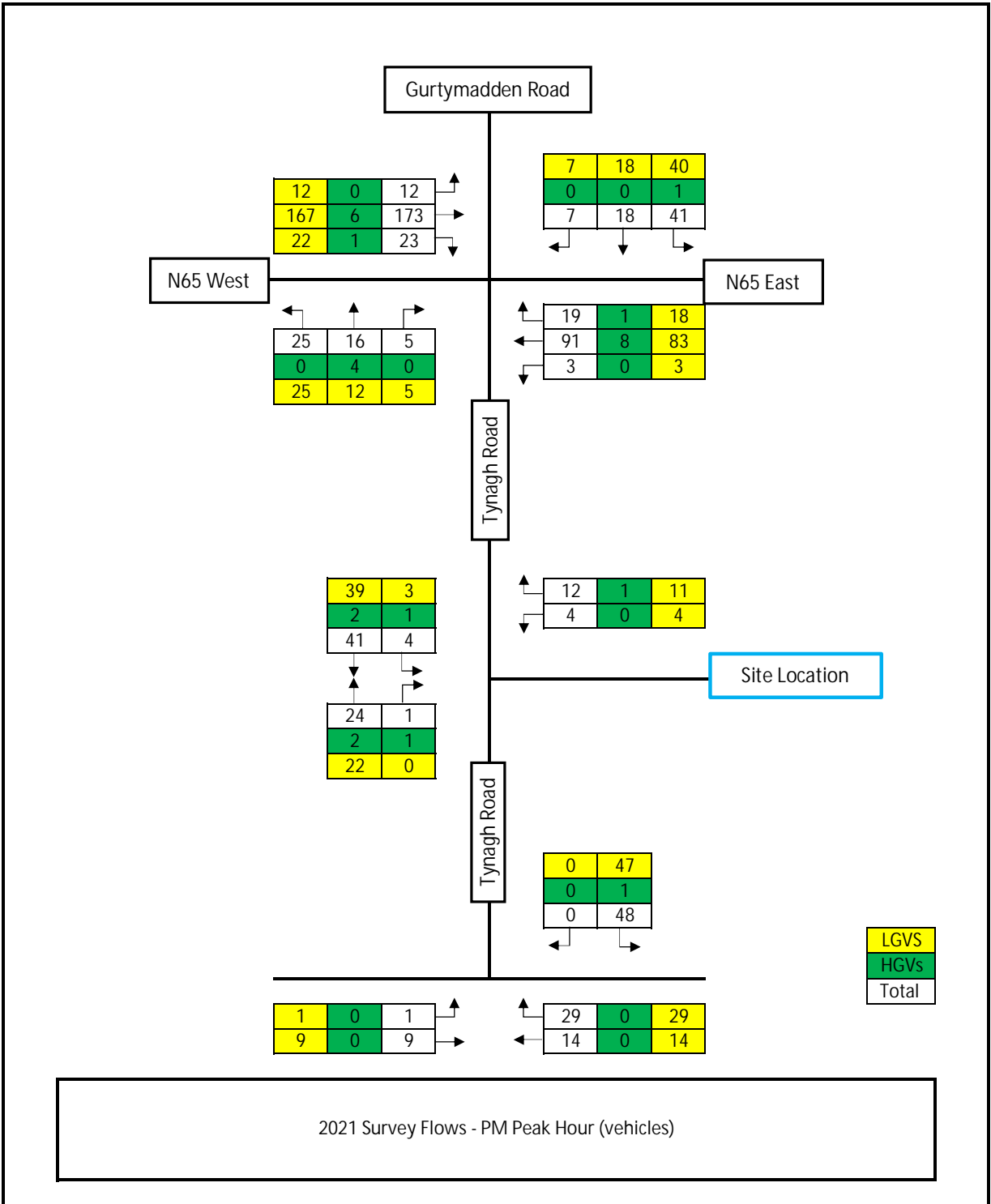
0	←
59	→

1	↑
11	→

36	↑
17	←

Central Growth





Gurty Madden Road

N65 West

N65 East

Tynagh Road

Tynagh Road

Site Location

LGVs
HGVs
Total

12	0	12
167	6	173
22	1	23

7	18	40
0	0	1
7	18	41

25	16	5
0	4	0
25	12	5

19	1	18
91	8	83
3	0	3

39	3
2	1
41	4

12	1	11
4	0	4

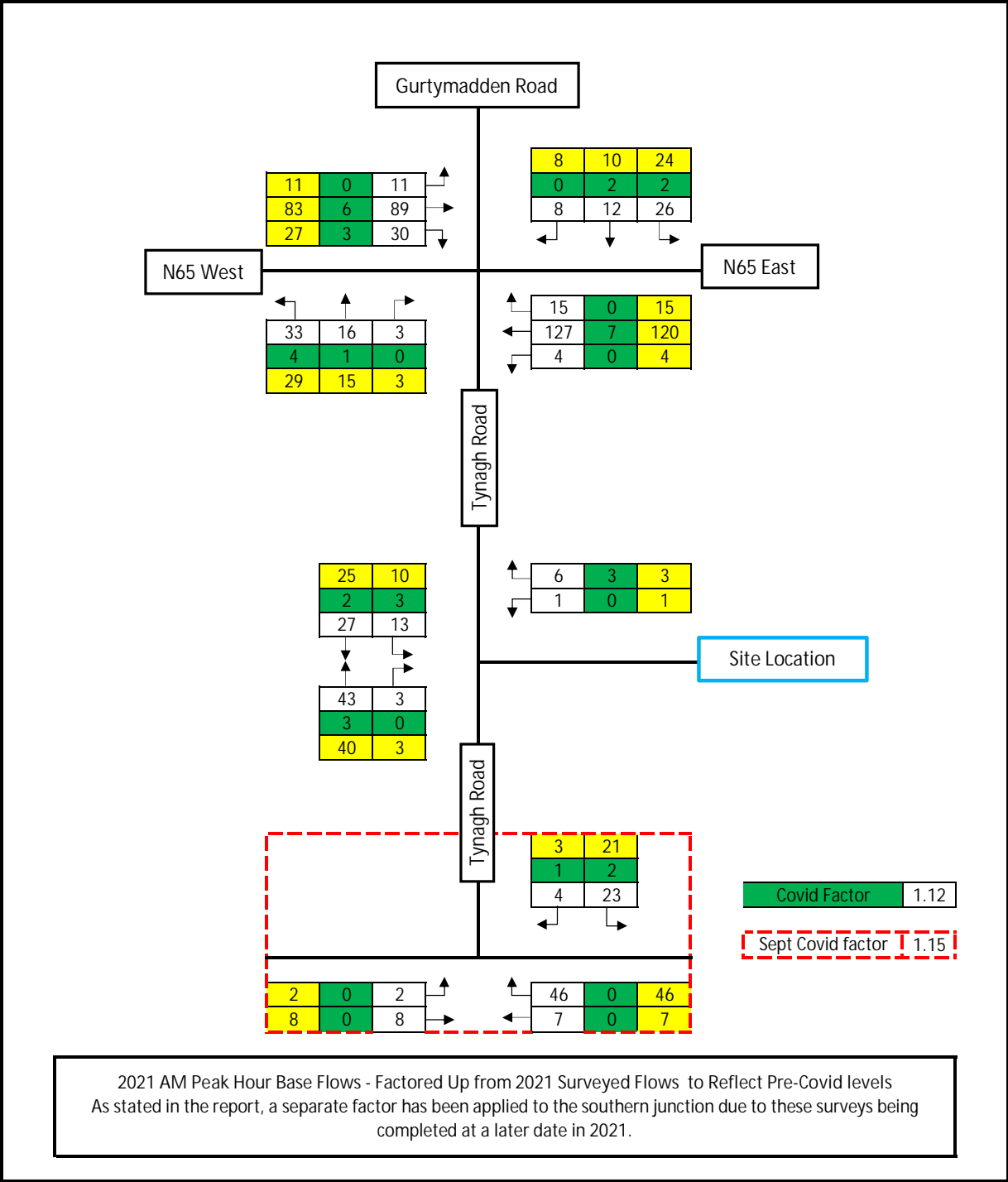
24	1
2	1
22	0

0	47
0	1
0	48

1	0	1
9	0	9

29	0	29
14	0	14





Gurty Madden Road

N65 West

N65 East

Tynagh Road

Tynagh Road

Site Location

11	0	11
83	6	89
27	3	30

8	10	24
0	2	2
8	12	26

33	16	3
4	1	0
29	15	3

15	0	15
127	7	120
4	0	4

25	10
2	3
27	13

6	3	3
1	0	1

43	3
3	0
40	3

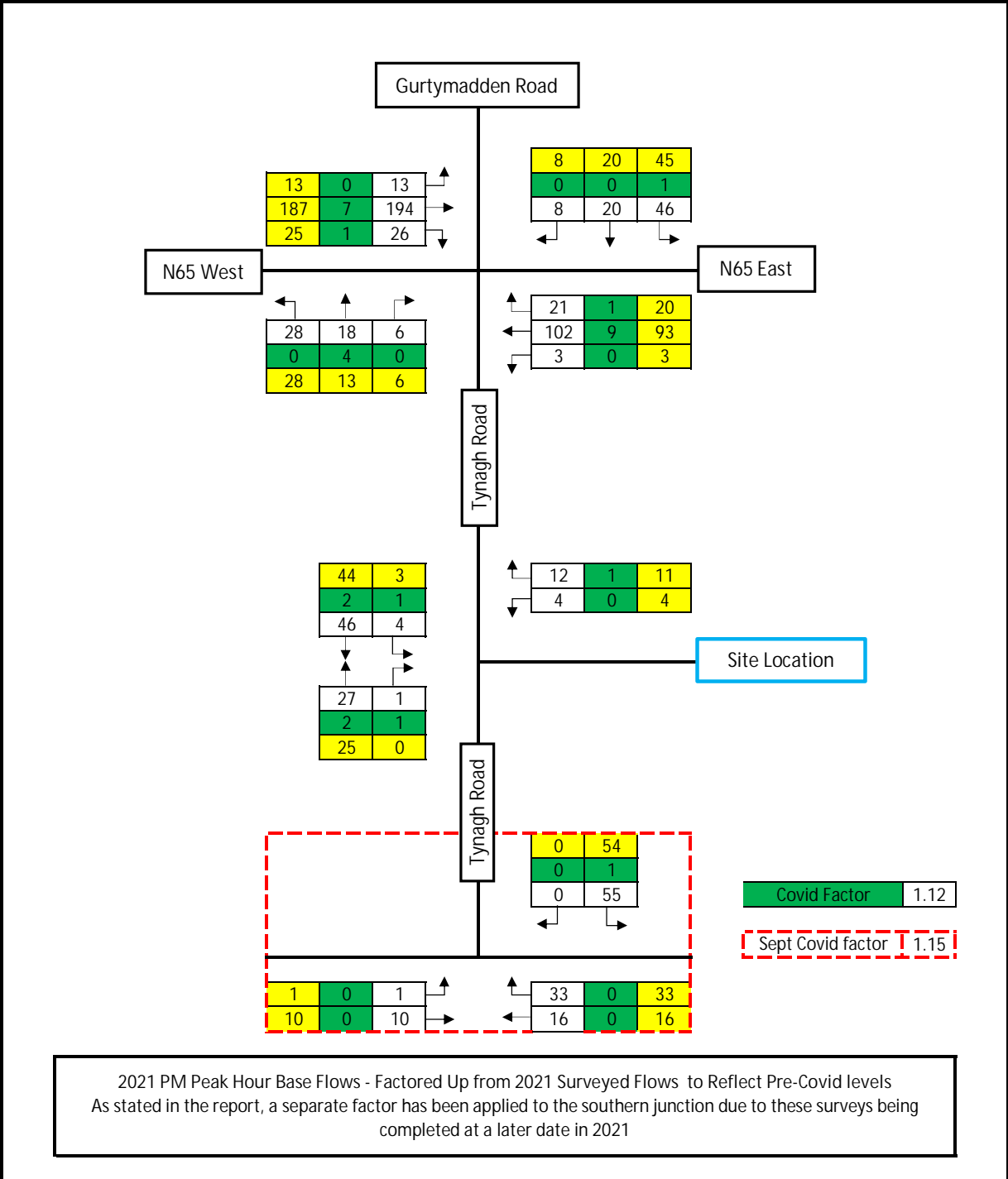
3	21
1	2
4	23

Covid Factor 1.12

Sept Covid factor 1.15

2	0	2
8	0	8

46	0	46
7	0	7



Gurty Madden Road

N65 West

N65 East

Tynagh Road

Tynagh Road

Site Location

13	0	13
187	7	194
25	1	26

8	20	45
0	0	1
8	20	46

28	18	6
0	4	0
28	13	6

21	1	20
102	9	93
3	0	3

44	3
2	1
46	4

12	1	11
4	0	4

27	1
2	1
25	0

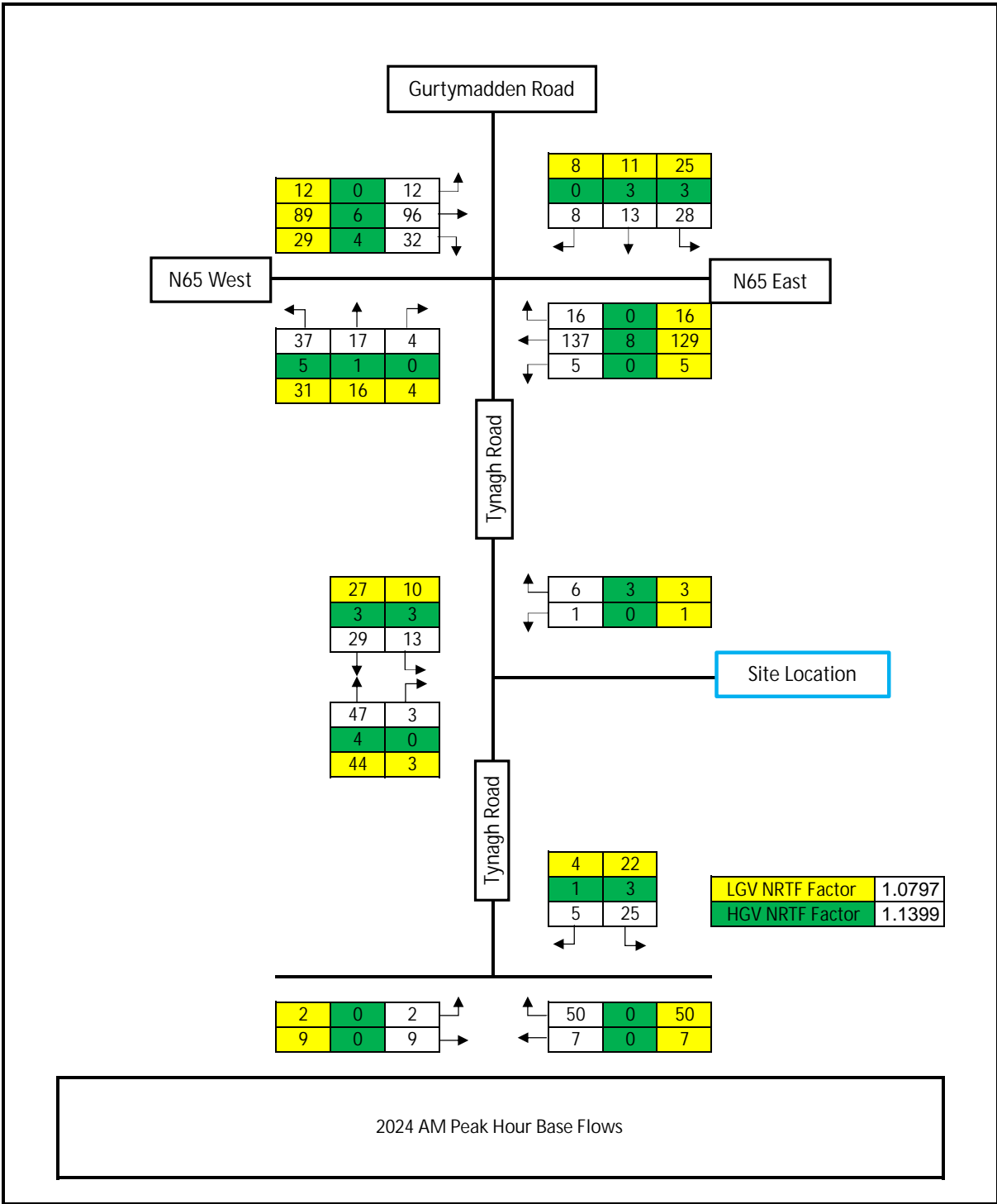
0	54
0	1
0	55

Covid Factor 1.12

Sept Covid factor 1.15

1	0	1
10	0	10

33	0	33
16	0	16



Gurty Madden Road

12	0	12
89	6	96
29	4	32

8	11	25
0	3	3
8	13	28

N65 West

N65 East

37	17	4
5	1	0
31	16	4

16	0	16
137	8	129
5	0	5

Tynagh Road

27	10
3	3
29	13

6	3	3
1	0	1

Site Location

47	3
4	0
44	3

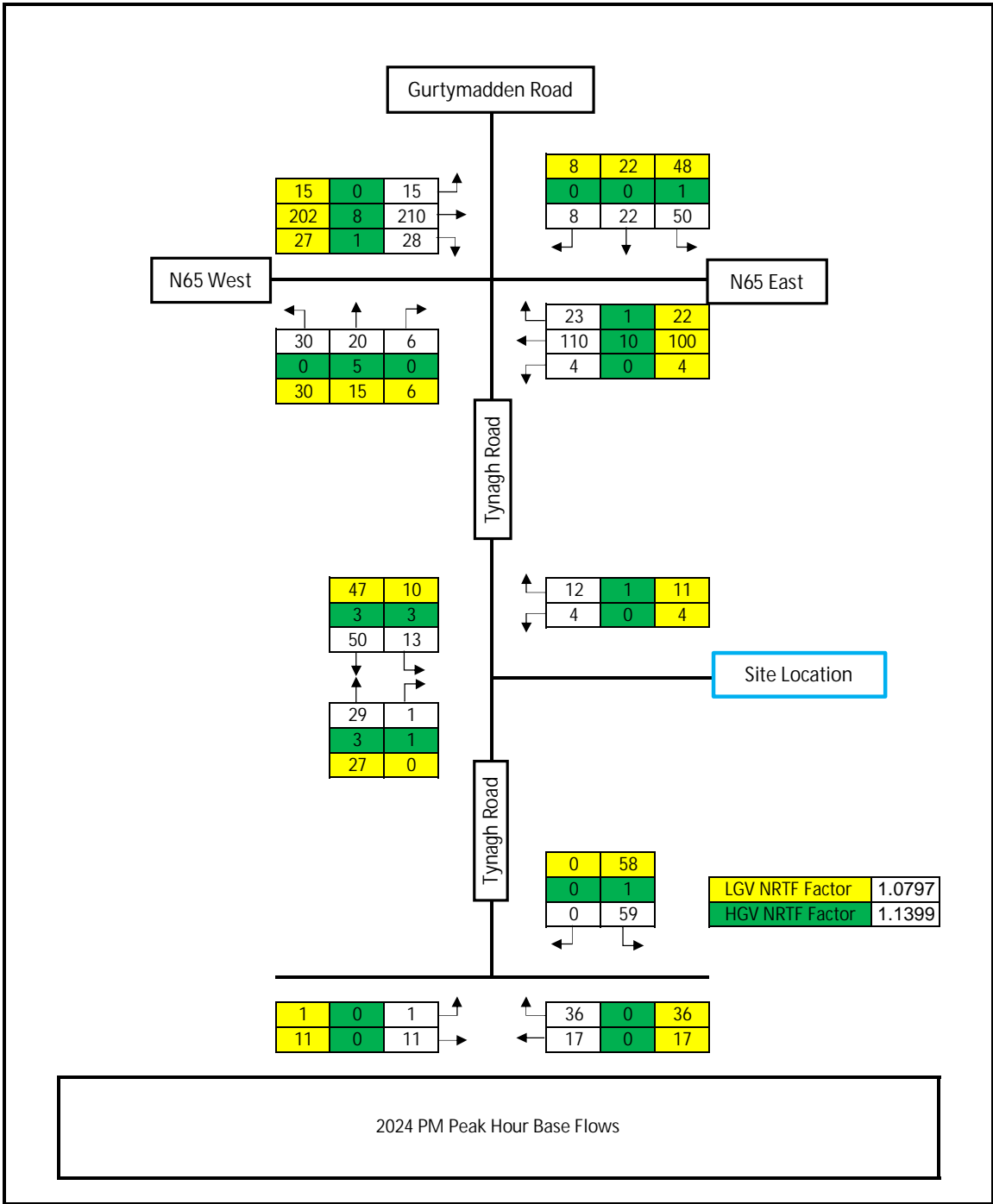
Tynagh Road

4	22
1	3
5	25

LGV NRTF Factor	1.0797
HGV NRTF Factor	1.1399

2	0	2
9	0	9

50	0	50
7	0	7



Gurty Madden Road

N65 West

N65 East

Tynagh Road

Tynagh Road

Site Location

15	0	15
202	8	210
27	1	28

8	22	48
0	0	1
8	22	50

30	20	6
0	5	0
30	15	6

23	1	22
110	10	100
4	0	4

47	10
3	3
50	13

12	1	11
4	0	4

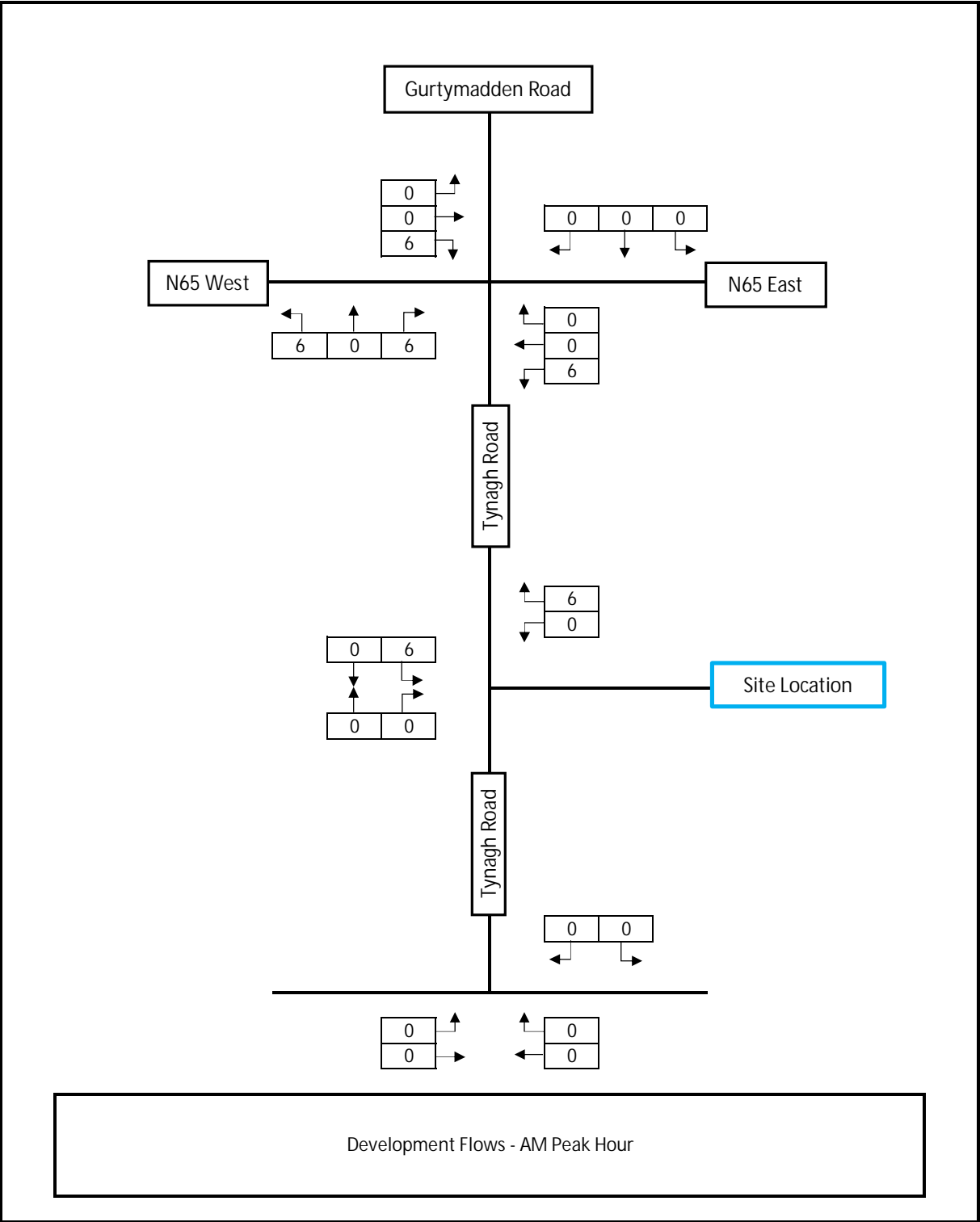
29	1
3	1
27	0

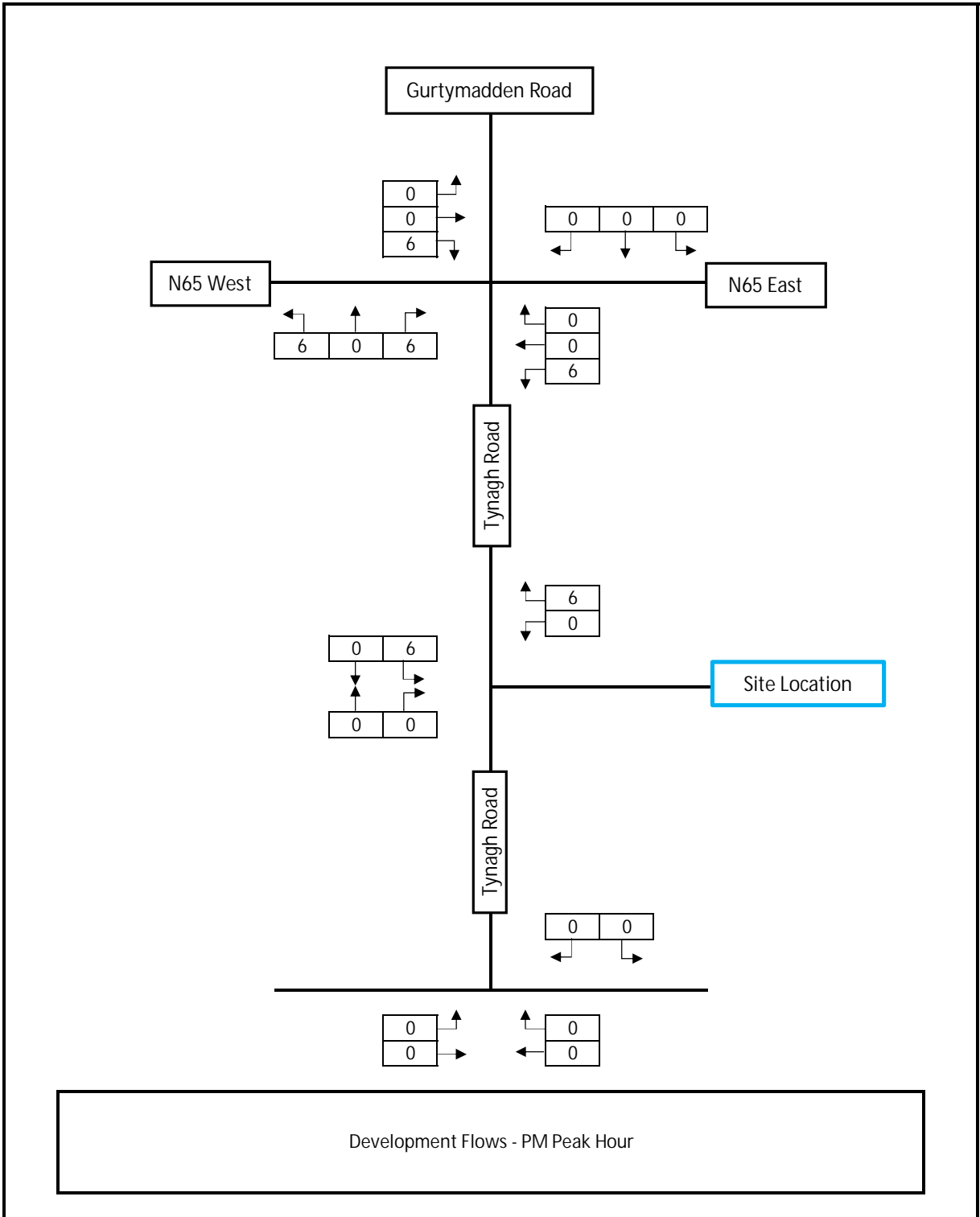
0	58
0	1
0	59

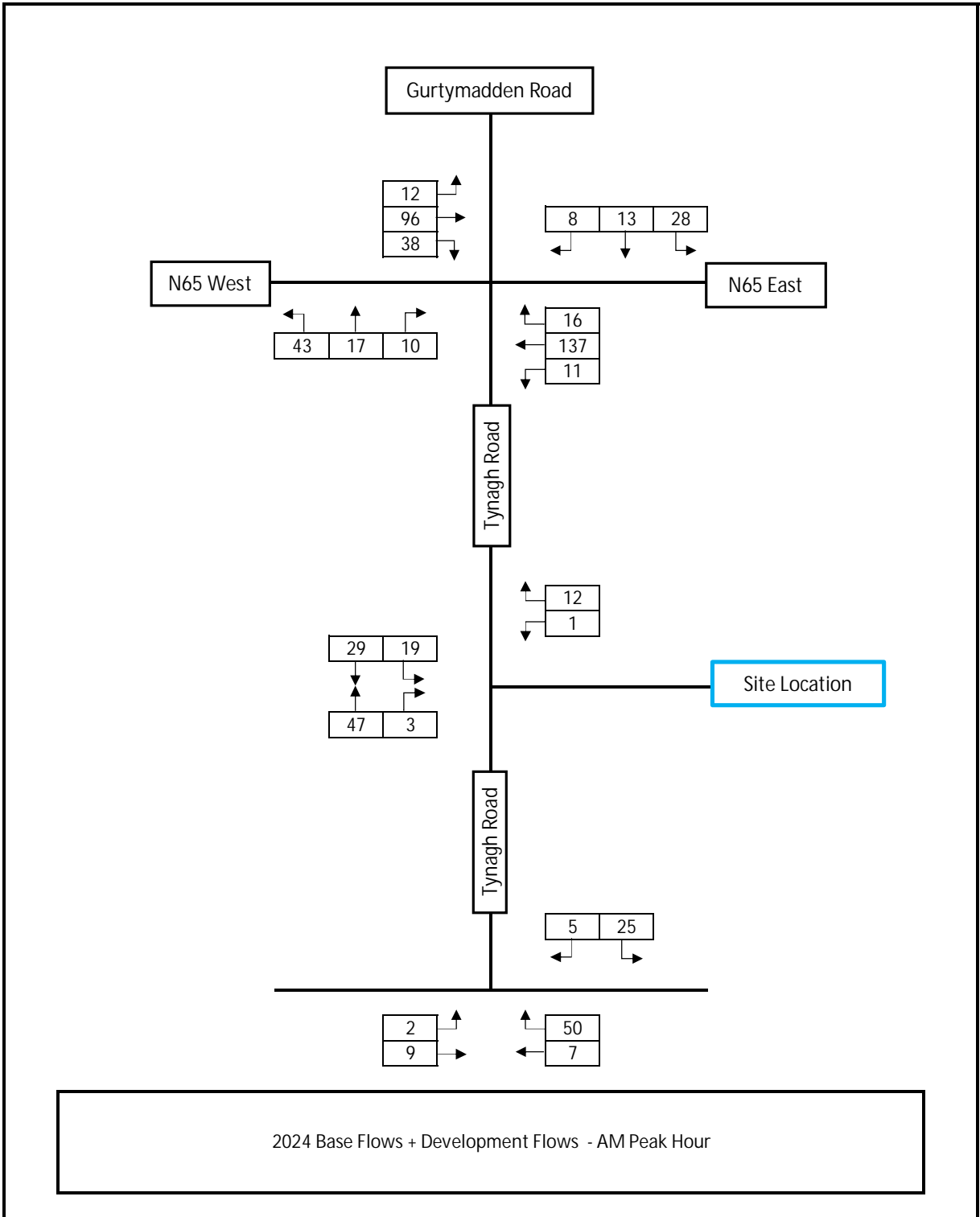
LGV NRTF Factor	1.0797
HGV NRTF Factor	1.1399

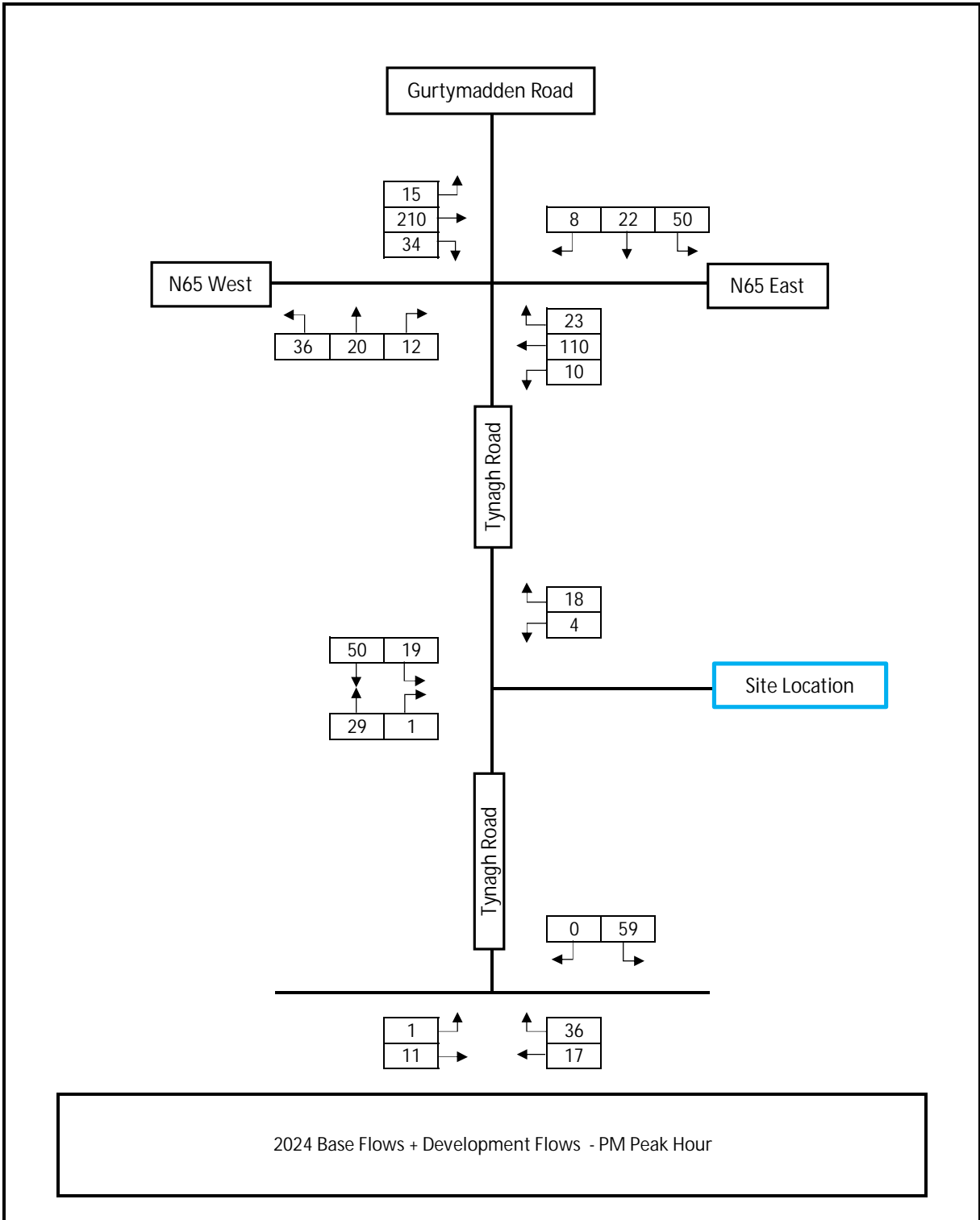
1	0	1
11	0	11

36	0	36
17	0	17



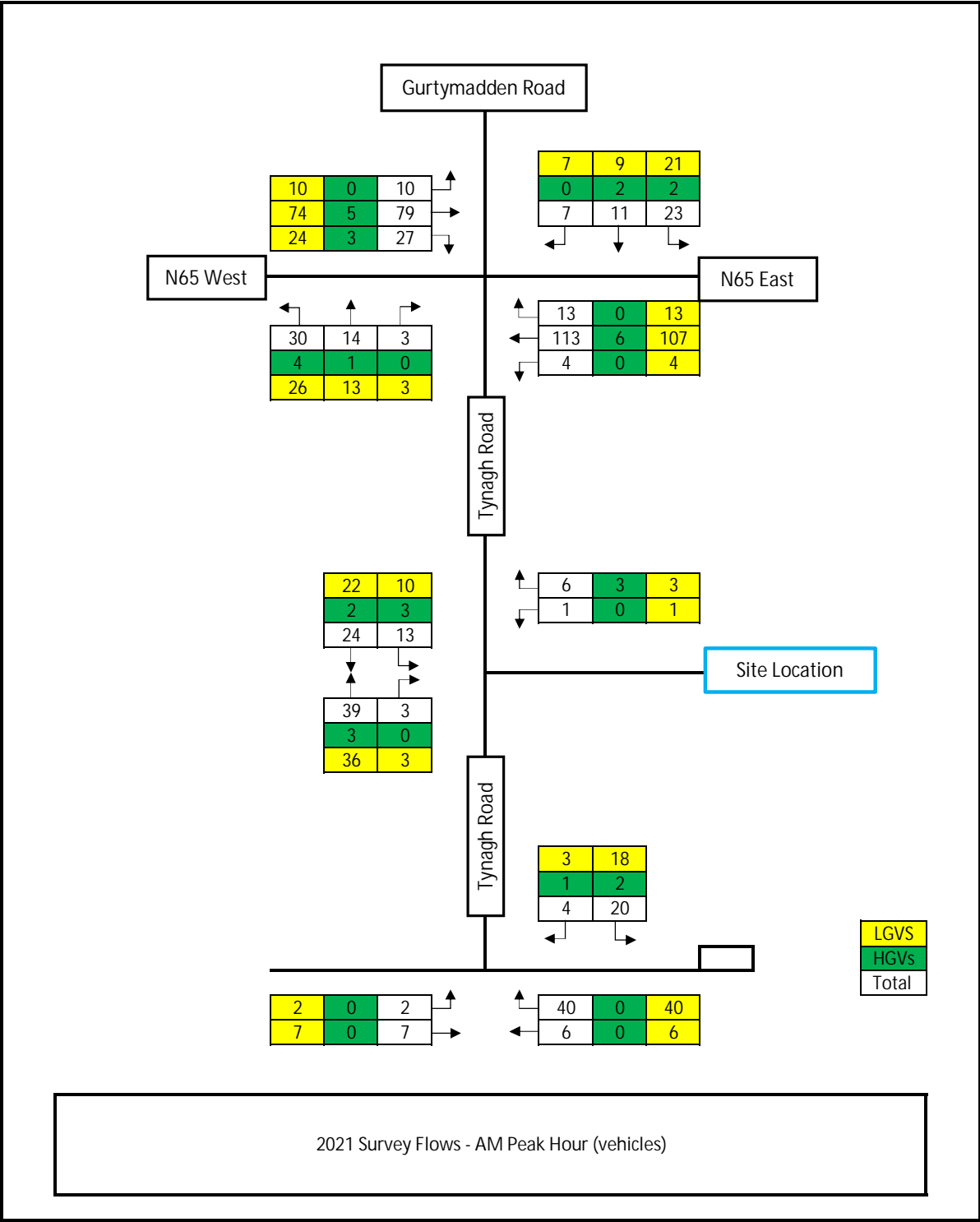








High Growth



Gurty Madden Road

10	0	10
74	5	79
24	3	27

N65 West

30	14	3
4	1	0
26	13	3

7	9	21
0	2	2
7	11	23

N65 East

13	0	13
113	6	107
4	0	4

Tynagh Road

22	10
2	3
24	13

6	3	3
1	0	1

Site Location

39	3
3	0
36	3

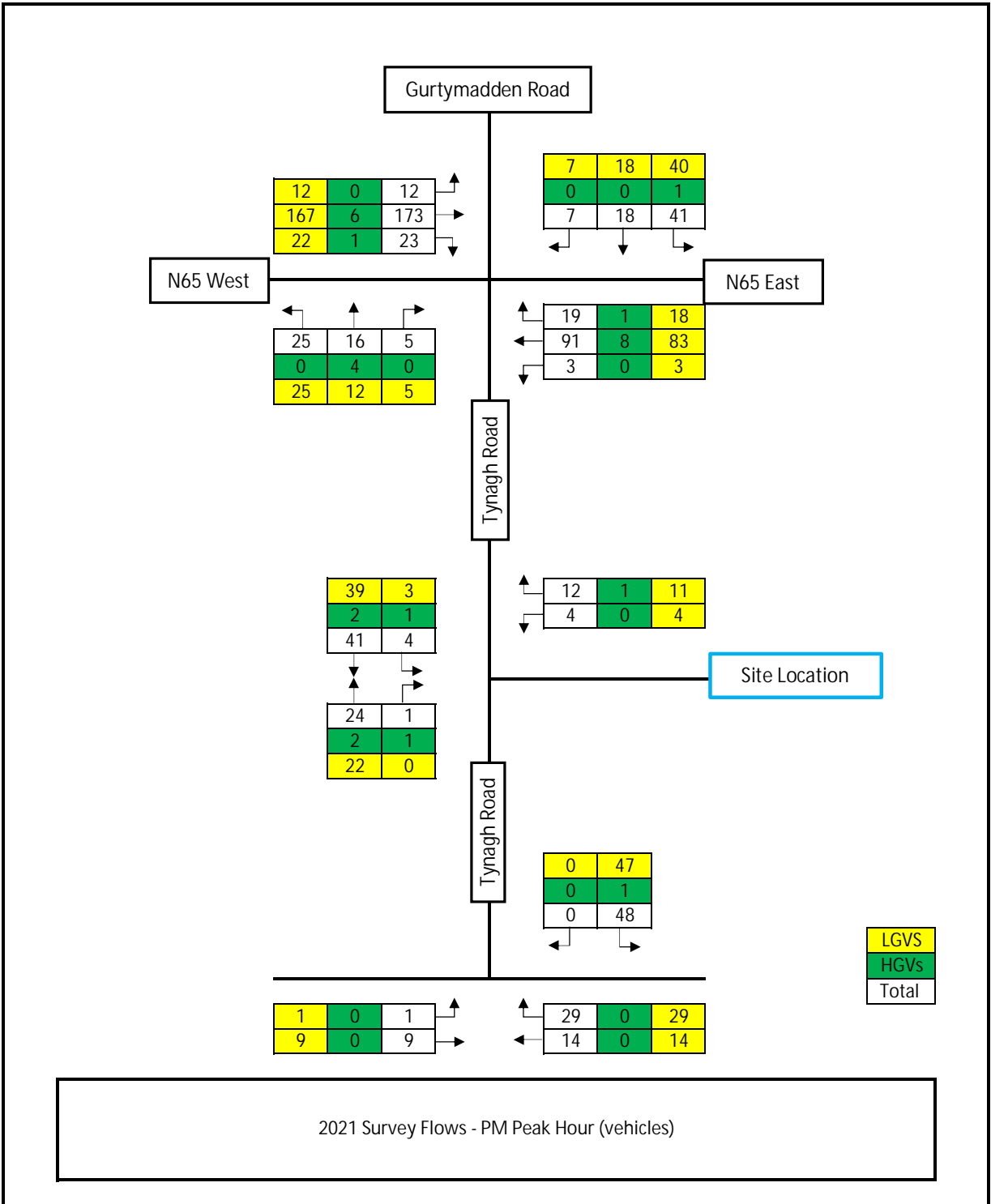
Tynagh Road

3	18
1	2
4	20

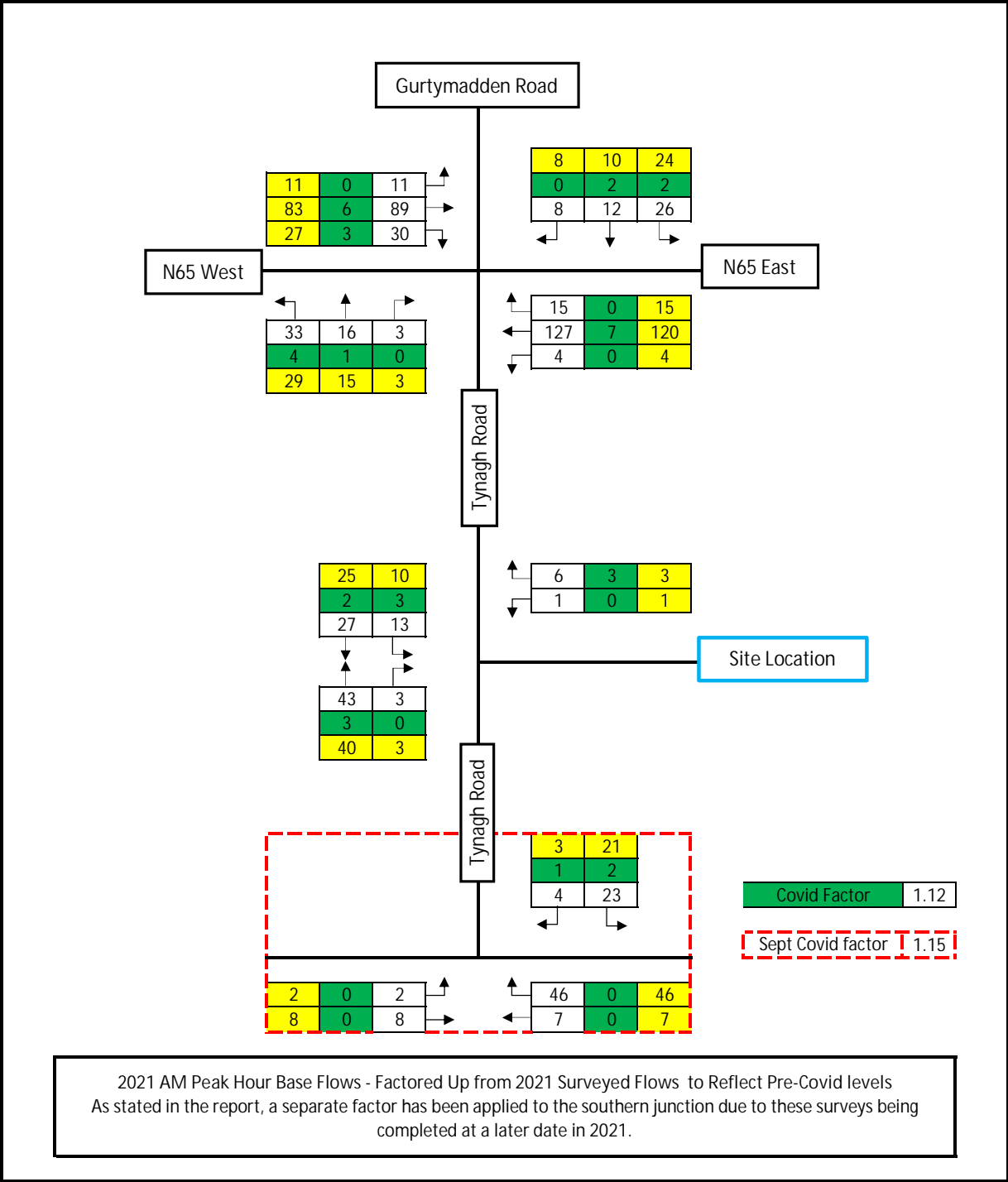
LGVS
HGVs
Total

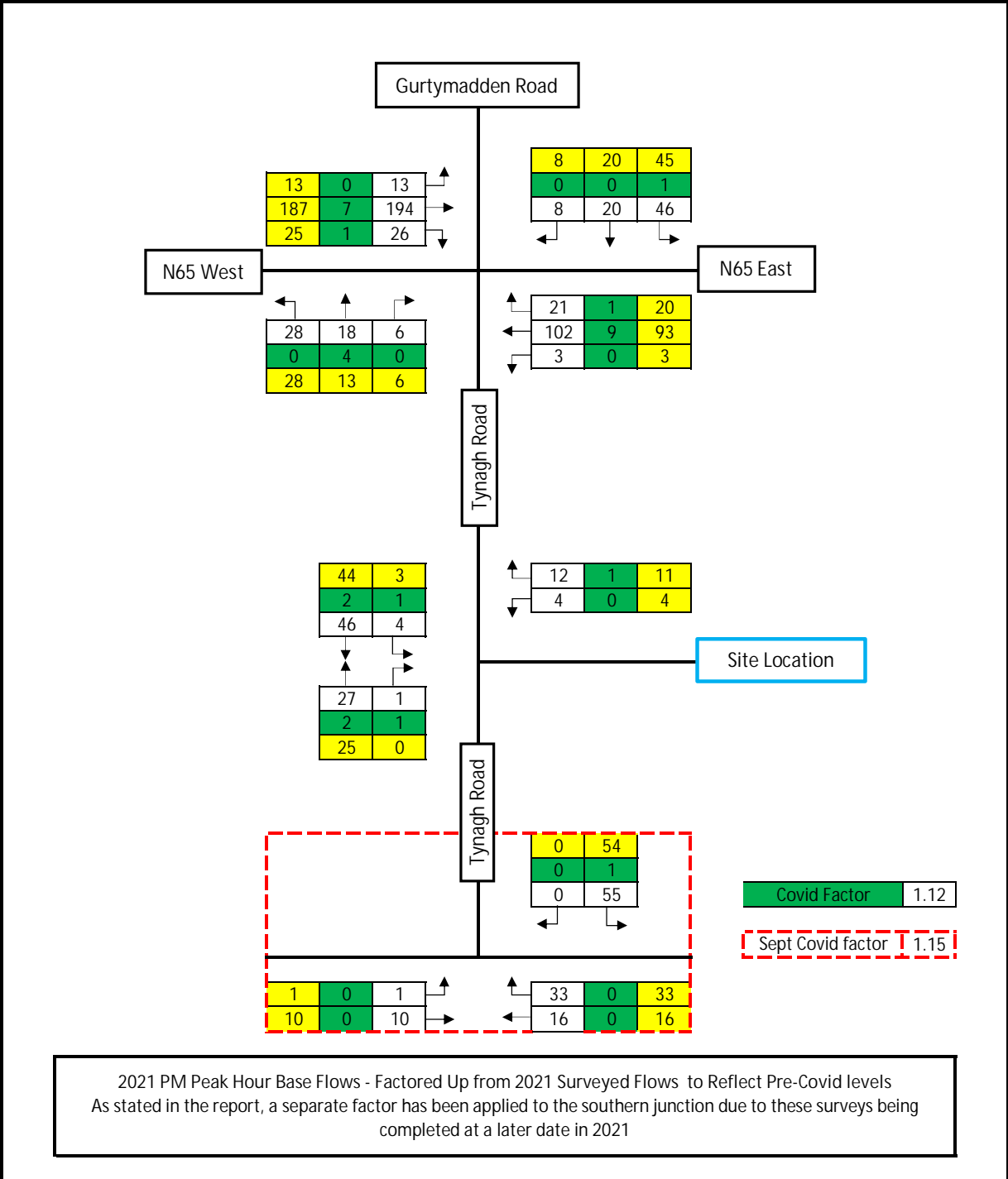
2	0	2
7	0	7

40	0	40
6	0	6



Gurty Madden Road			7   18   40		
12	0	12	0	0	1
167	6	173	7	18	41
22	1	23	↓ ↓ ↓		
N65 West			N65 East		
← ↑ →			← ↑ →		
25	16	5	19	1	18
0	4	0	91	8	83
25	12	5	3	0	3
Tynagh Road			Tynagh Road		
↓ ↓			↑ ↓		
39   3			12   1   11		
2   1			4   0   4		
41   4			↓ ↓		
24   1			Site Location		
2   1			0   47		
22   0			0   1		
Tynagh Road			0   48		
↓ ↓			↓ ↓		
1   0   1			29   0   29		
9   0   9			14   0   14		





Gurty Madden Road

N65 West

N65 East

Tynagh Road

Site Location

Tynagh Road

13	0	13
187	7	194
25	1	26

8	20	45
0	0	1
8	20	46

28	18	6
0	4	0
28	13	6

21	1	20
102	9	93
3	0	3

44	3
2	1
46	4

12	1	11
4	0	4

27	1
2	1
25	0

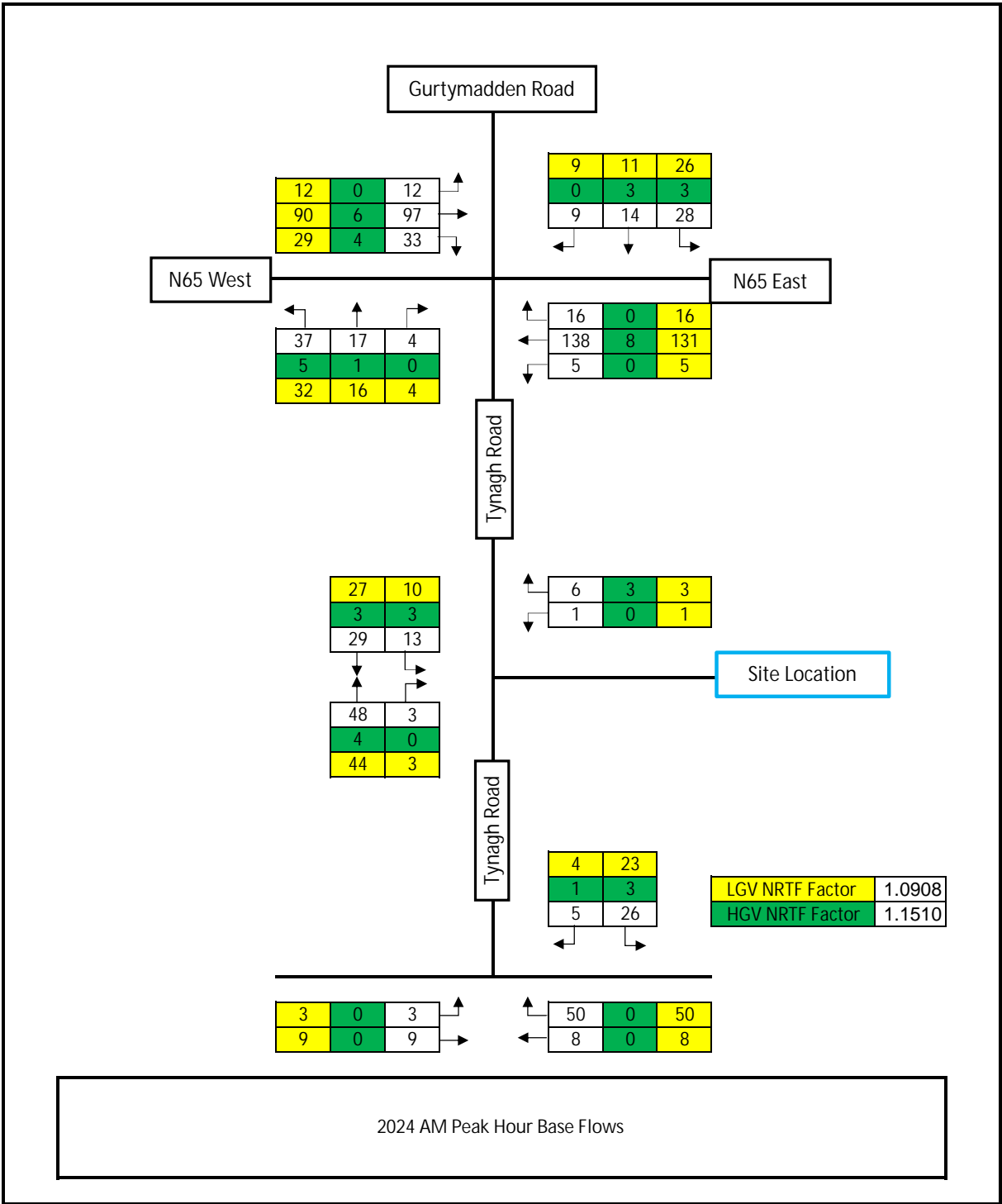
0	54
0	1
0	55

Covid Factor 1.12

Sept Covid factor 1.15

1	0	1
10	0	10

33	0	33
16	0	16



Gurty Madden Road

N65 West

N65 East

Tynagh Road

Site Location

Tynagh Road

LGV NRTF Factor	1.0908
HGV NRTF Factor	1.1510

12	0	12
90	6	97
29	4	33

9	11	26
0	3	3
9	14	28

37	17	4
5	1	0
32	16	4

16	0	16
138	8	131
5	0	5

27	10
3	3
29	13

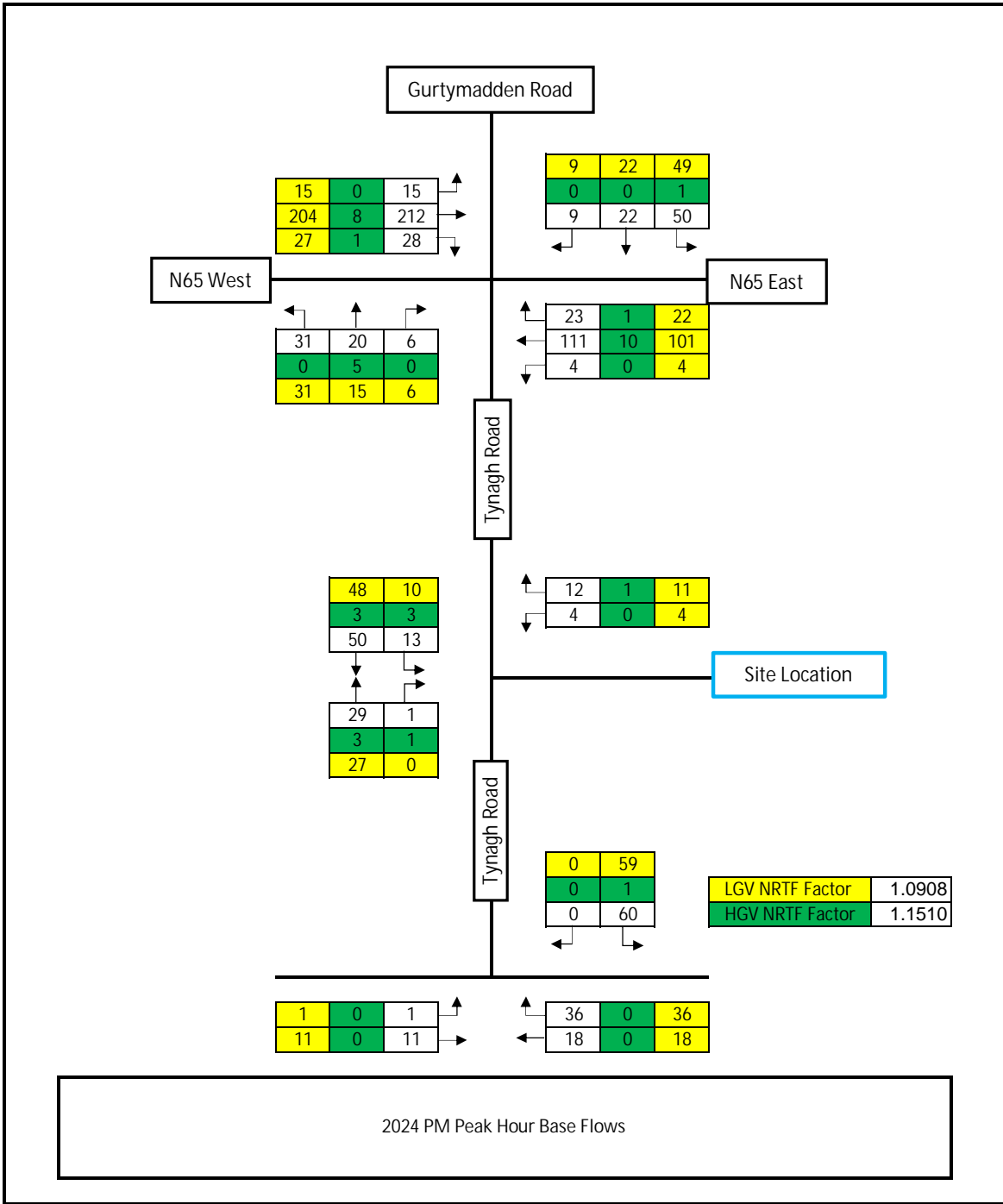
6	3	3
1	0	1

48	3
4	0
44	3

4	23
1	3
5	26

3	0	3
9	0	9

50	0	50
8	0	8



Gurty Madden Road

N65 West

N65 East

Tynagh Road

Tynagh Road

Site Location

LGV NRTF Factor	1.0908
HGV NRTF Factor	1.1510

15	0	15
204	8	212
27	1	28

9	22	49
0	0	1
9	22	50

31	20	6
0	5	0
31	15	6

23	1	22
111	10	101
4	0	4

48	10
3	3
50	13

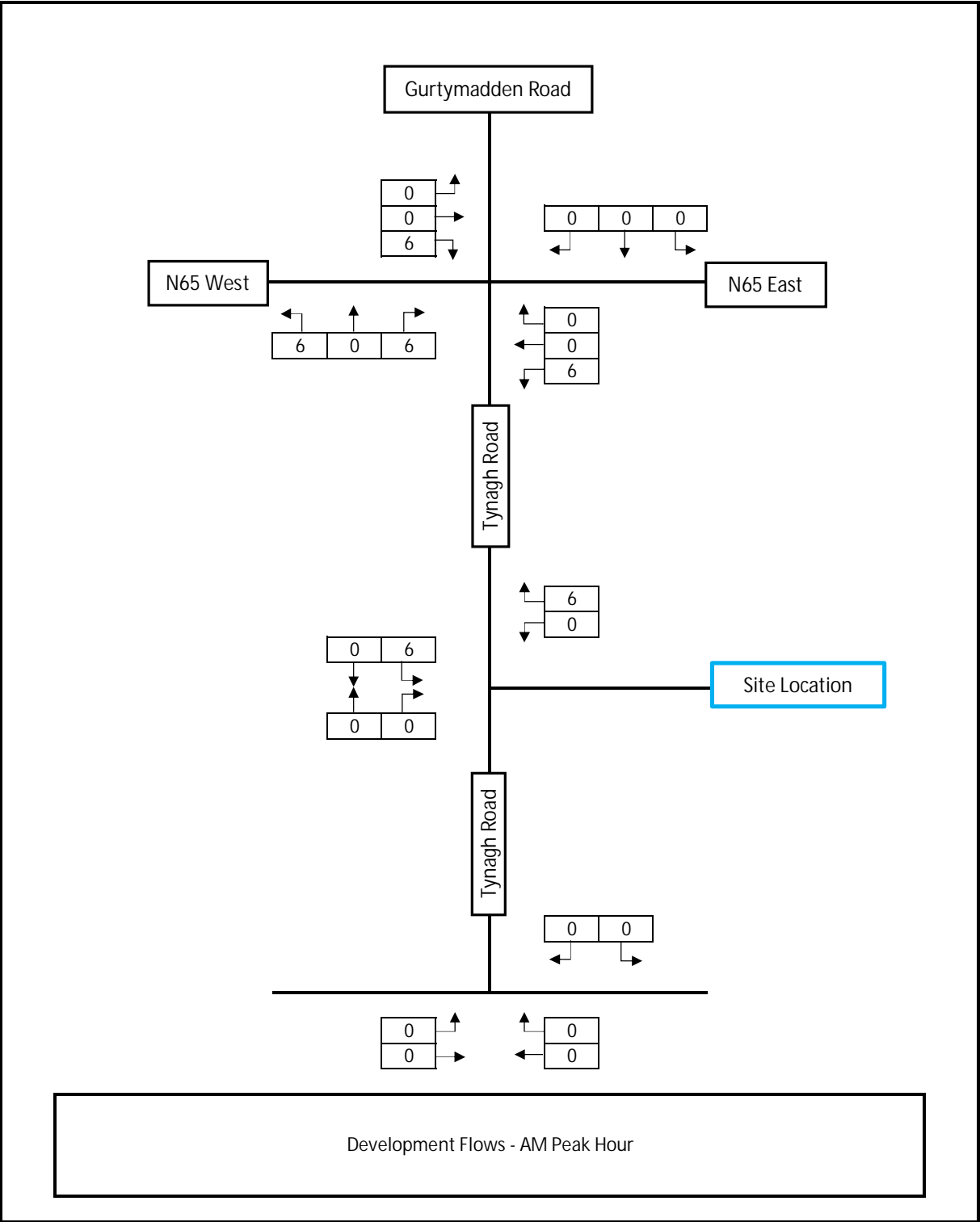
12	1	11
4	0	4

29	1
3	1
27	0

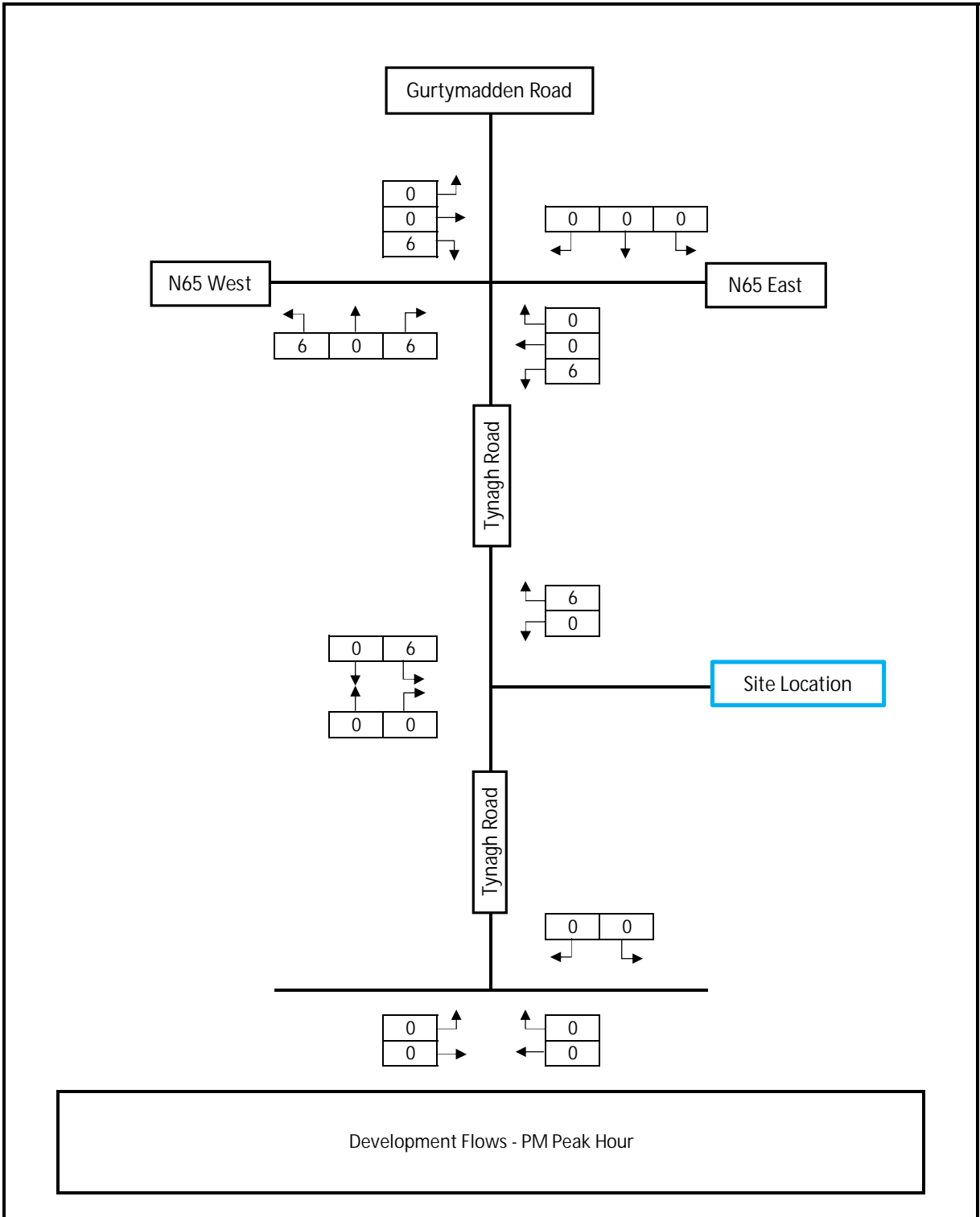
0	59
0	1
0	60

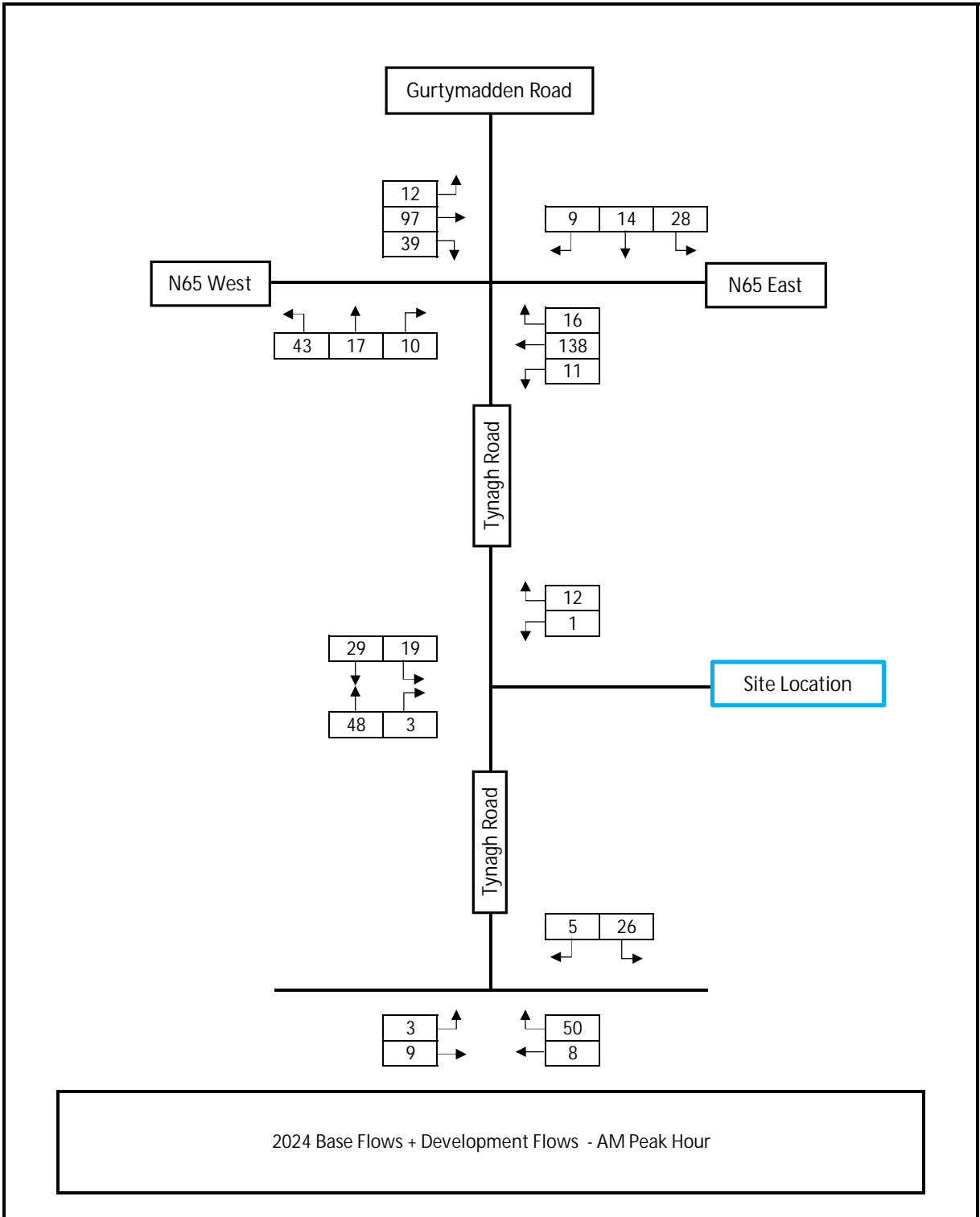
1	0	1
11	0	11

36	0	36
18	0	18









Gurty Madden Road

12	↑
97	→
39	↓

9	14	28
←	↓	→

N65 West

43	17	10
←	↑	→

N65 East

16	↑
138	←
11	↓

Tynagh Road

12	↑
1	↓

Site Location

29	19
↓	→
48	3
↑	→

Tynagh Road

5	26
←	→

3	↑
9	→

50	↑
8	←

